

ARE YOU READY TO SHOW COW HORSE?

LEGAL EQUIPMENT IN THE NHSRA

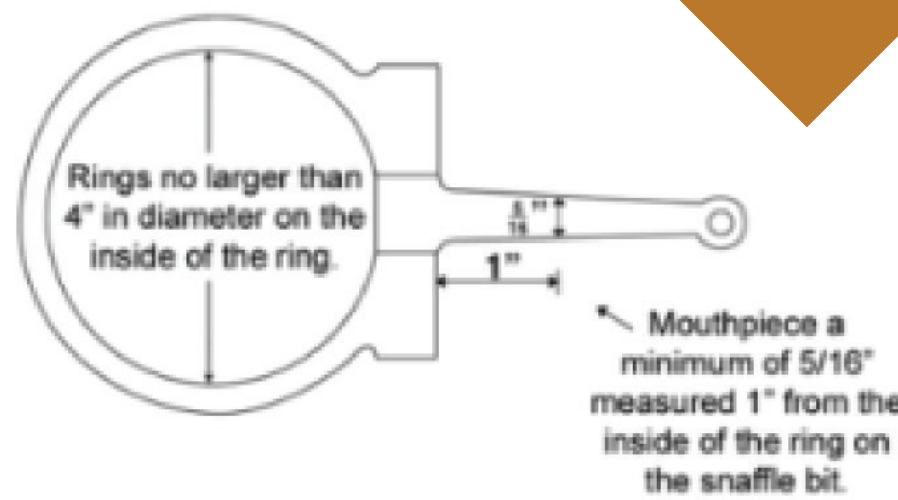


IF HORSE IS 5 YEARS AND UNDER



Snaffle Bit

A leather or other woven material chin strap or hobble of any width is to be used. No iron, chain or other material may be used. Chin Strap or hobble is allowed to include metal buckles and/or keepers on snaffle bits only. Reins are to be attached above the chin strap or hobble.



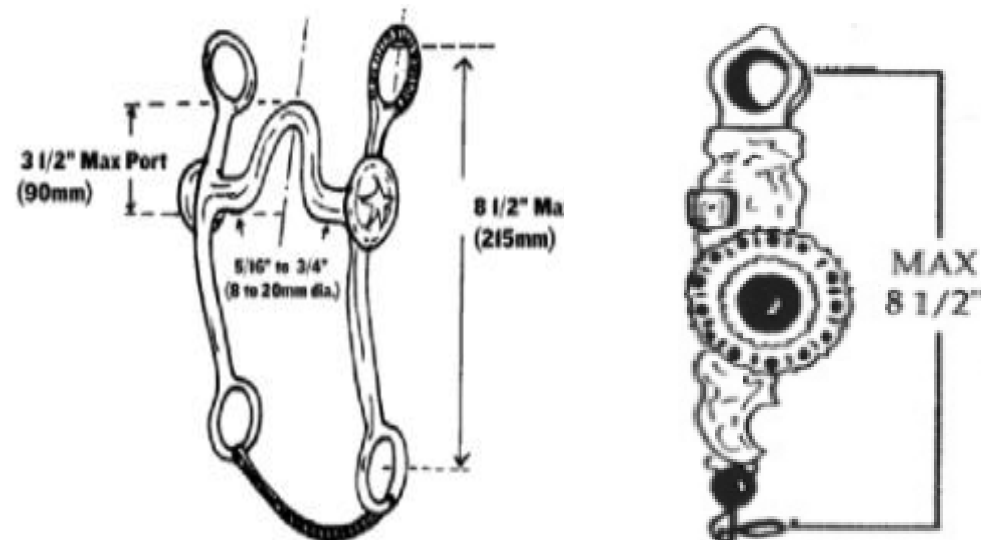
- Inside Circumference of ring must be free of rein, curb, or headstall attachment
- Split Rein Must be used; no closed reins

Hackamore



- A hackamore must use a complete mecate rein, which must include a tie-rein. Absolutely no rigid material will be permitted under the jaws.

Curb



- Shanks may be fixed or loose.
- May use romal or split reins with curb, but only one hand is permitted on the reins.
- Broken mouthpieces, half-breeds and spades are standard; Slip or gag bits, donut or flat polo mouthpieces are prohibited.
- Mouthpieces may be 1, 2, or 3 pieces

CHIN STRAP REQUIRED

must be at least one-half inch in width, and must lie flat against the jaw of the horse

Half Breed



Spade Bit



Two Rein

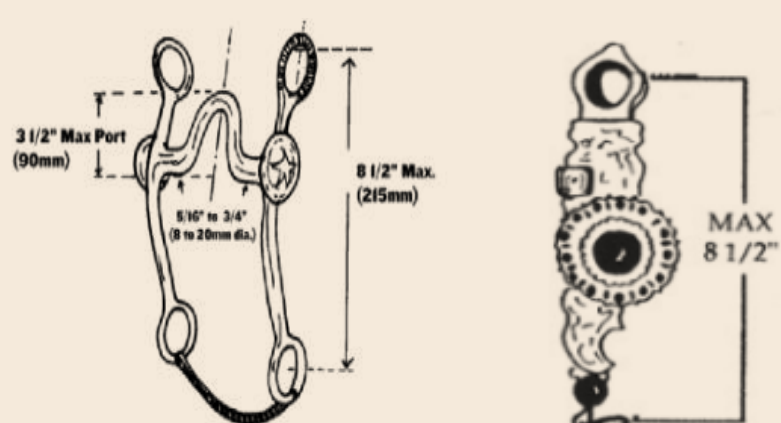


IF HORSE IS 6 YEARS OR OLDER

CHIN STRAP REQUIRED

must be at least one-half inch in width, and must lie flat against the jaw of the horse

Curb Bit

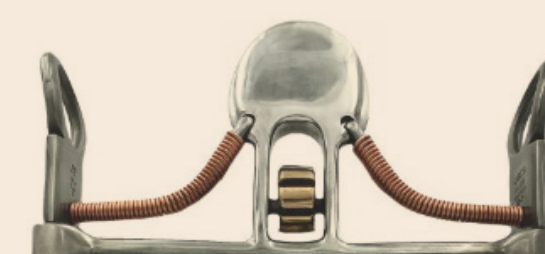


- Shanks may be fixed or loose.
- May use romal or split reins with curb, but only one hand is permitted on the reins.
- Mouthpieces may be 1, 2, or 3 pieces

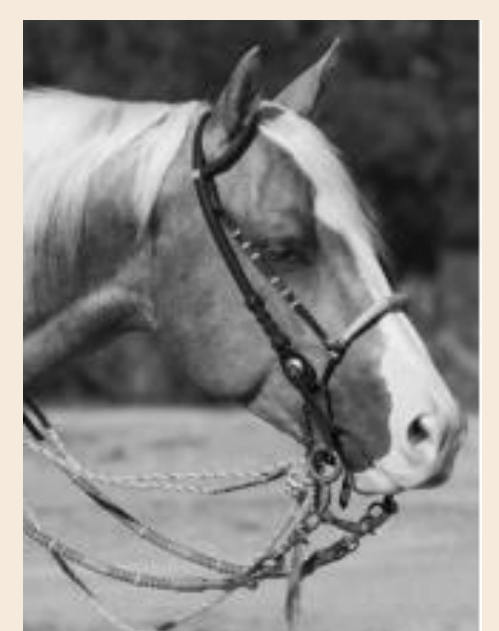
Half Breed



Spade



Two Rein



Refer to NHSFR Reined Cow Horse Rule Book for a complete list of rules and descriptions.

